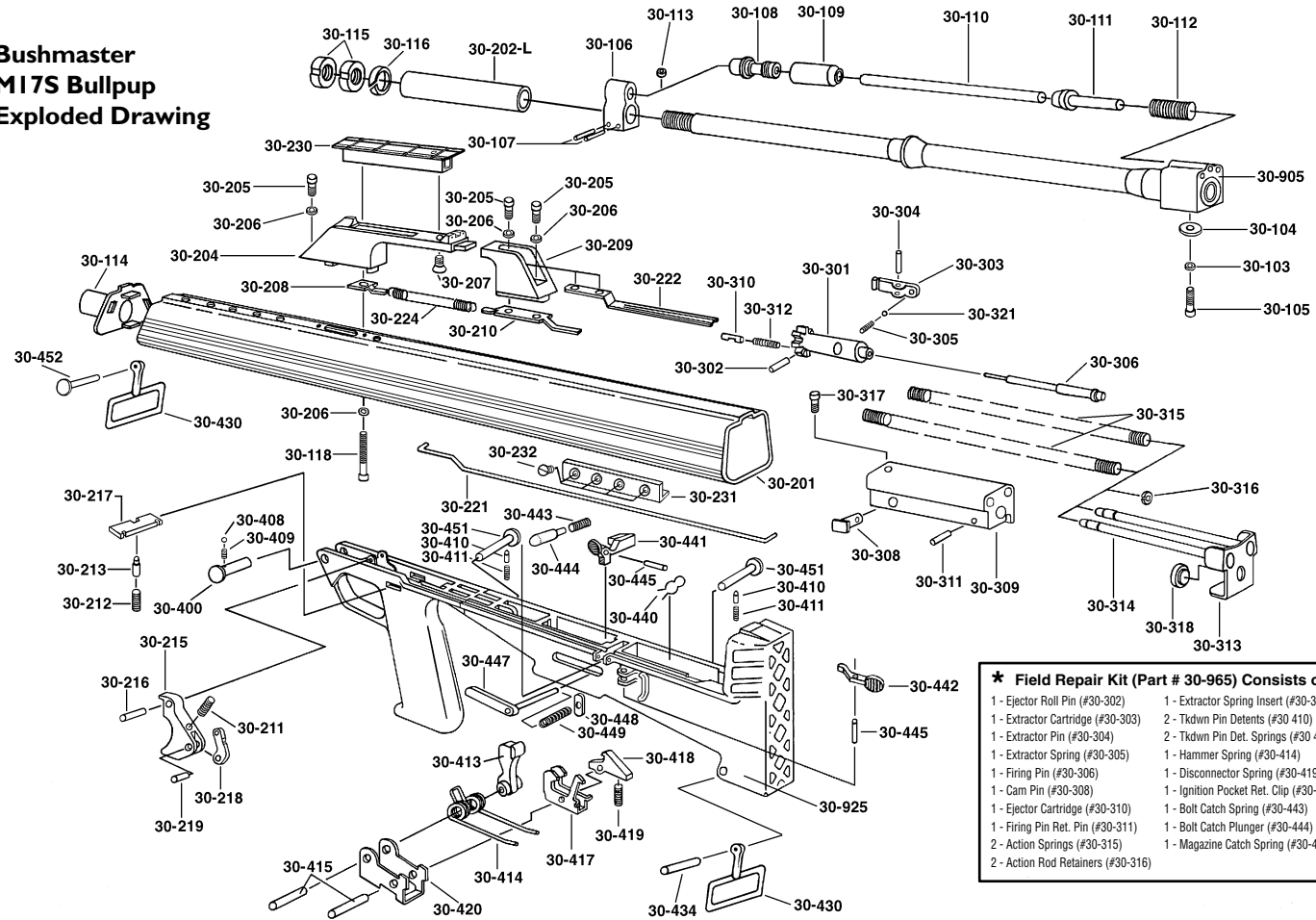


**Bushmaster
 M17S Bullpup
 Exploded Drawing**



- * Field Repair Kit (Part # 30-965) Consists of:**
- | | |
|------------------------------------|---|
| 1 - Ejector Roll Pin (#30-302) | 1 - Extractor Spring Insert (#30-321) |
| 1 - Extractor Cartridge (#30-303) | 2 - Tkdwn Pin Detents (#30 410) |
| 1 - Extractor Pin (#30-304) | 2 - Tkdwn Pin Det. Springs (#30 411) |
| 1 - Extractor Spring (#30-305) | 1 - Hammer Spring (#30-414) |
| 1 - Firing Pin (#30-306) | 1 - Disconnecter Spring (#30-419) |
| 1 - Cam Pin (#30-308) | 1 - Ignition Pocket Ret. Clip (#30-440) |
| 1 - Ejector Cartridge (#30-310) | 1 - Bolt Catch Spring (#30-443) |
| 1 - Firing Pin Ret. Pin (#30-311) | 1 - Bolt Catch Plunger (#30-444) |
| 2 - Action Springs (#30-315) | 1 - Magazine Catch Spring (#30-449) |
| 2 - Action Rod Retainers (#30-316) | |

Bushmaster M 17 S Parts List:

30-103 - 1/4 High Collar Lock Washer	1.00	30-216 - Trigger Roll Pin	1.00	30-408 (MS19060-4808) - A-2 Ball Bearing	0.50
30-104 - Thrust Washer	1.95	30-217 - Safety	11.95	30-409 - Hinge Pin Spring	0.95
30-105 - Barrel Extension Retaining Screw	2.50	30-218 - Trigger Cam	5.95	30-400a - Hinge Pin Assembly (400+408+409)	6.95
30-106 - Gas Housing	18.95	30-219 - Trigger Cam Roll Pin	1.00	30-410 (8448585) - Tkdwon Pin Detent (2 per gun)	0.50
30-107 (9349054btp) - Taper Pin (2 per gun)	0.95	30-221 - Trigger Bar	9.00	30-411 (8448586) - Tkdwon Pin Det. Spring (2)	0.50
30-108 - Piston	14.95	30-222 - Cover Plate	7.95	30-413 - Hammer	19.95
30-109 - Gas Cylinder	15.95	30-224 - Cocking Spring	3.00	30-414 - Hammer Spring	3.50
30-110 - Link Rod	9.95	30-230 - Scope Mount	19.95	30-415 - Pivot Pin (2 per gun)	4.95
30-111 - Operating Rod	9.95	30-231 - Rail	19.95	30-417 - Sear	14.95
30-112 - Operating Rod Spring	3.00	30-232 - Rail Retaining Screw (4 per gun)	2.00	30-418 - Disconnecter	11.95
30-113 - Sleeve Piston	6.95	30-301 - Breech Bolt	64.95	30-419 - Disconnecter Spring	0.50
30-114 - Handguard Cap	20.00	30-302 (MS16562-98) - Ejector Roll Pin	0.50	30-420 - Ignition Pocket	10.95
30-115 - Lock Nut (2 per gun)	5.00	30-303 (8448512) - Extractor Cartridge	6.95	30-430 (8448571) - Sling Swivel (2 per gun)	2.50
30-116 (8448577) - Lock Washer	2.00	30-304 (8448513) - Extractor Pin	0.80	30-434 - Rear Sling Swivel Roll Pin	0.95
30-118 - Sight Base Screw	2.50	30-305 (8448755sp) - Extractor Spring	0.50	30-440 - Ignition Pocket Retaining Clip	0.95
30-201 - Upper Receiver - Stripped	119.95	30-306 - Firing Pin	10.95	30-441 - Bolt Catch	6.00
30-202-L - Barrel Extension Tube	8.00	30-307 - Firing Pin Spring (deleted 1998)	0.95	30-442 - Ambi. Magazine Release	6.00
30-204 - Sight Base	29.95	30-308 - Cam Pin	4.95	30-443 (8448633) - Bolt Catch Spring	0.50
30-205 - Sight Base/Cocking Handle Screw (3)	2.00	30-309 - Bolt Carrier	75.00	30-444 (8448634) - Bolt Catch Plunger	0.50
30-206 - Spring Washer (4 per gun)	2.00	30-310 (8448515) - Ejector Cartridge	1.95	30-445 (MS16562-119) - Spring Pin (2 per gun)	0.50
30-207 - Sight Base Screw	2.00	30-311 - Firing Pin Retaining Pin	0.50	30-447 (8448638) - Magazine catch	2.95
30-208 - Spring Retainer	5.00	30-312 (8448516) - Ejector Detent Spring	0.80	30-448 - Magazine Button	1.95
30-209 - Cocking Handle	15.95	30-313 - Action Plate	12.95	30-449 (8448637) - Magazine Catch Spring	0.50
30-210 - Cocking Plate	9.95	30-314 - Action Rod (2 per gun)	14.95	30-451 - Takedown Pin (2 per gun)	4.95
30-211 - Trigger Spring	2.00	30-315 - Action Spring (2 per gun)	5.00	30-452 - Front Sling Swivel Rivet	0.95
30-212 (8448583) - Safety Detent Spring	2.00	30-316 - Retainer - Action Rod (2 per gun)	1.95	30-962 - Operator's Manual	.50
30-213 - Safety Detent	2.00	30-317 - Bolt Carrier Cap Screw	2.00	Major Assemblies:	
30-215 - Trigger	19.95	30-318 - Buffer	4.95	30-905 - Barrel /Gas Housing Sub-Assembly	195.00
		30-321 (8448754) - Extractor Spring Insert	0.50	30-925 - Stripped Lwr. Rec./Pistol Grip Asmbly.	89.95
		30-400 - Hinge Pin	4.95	*30-965 - Field Repair Kit (described below)	29.95

Note: In later model Bullpups, the Bolt Carrier was redesigned to eliminate the Firing Pin Spring (Part # 30-307).